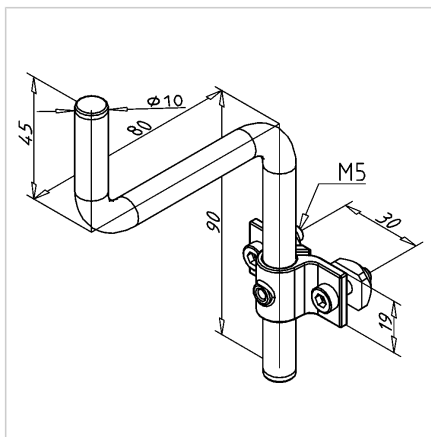


FIXING LONG BELOW

Code: 295047/2

[Link to the product →](#)



Technical data/items supplied

- Stainless steel
- Weight = 0.090 kg/piece