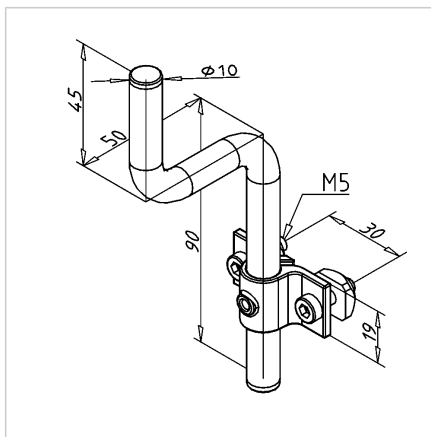


## FIXING SHORT BELOW

Code: 295046/2

[Link to the product →](#)



### Technical data/items supplied

- Stainless steel
- Weight = 0.083 kg/piece