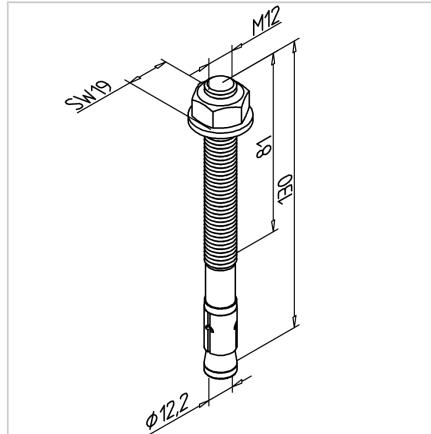


## FLOOR ANCHOR 12

Code: 211115/0

Floor anchor M12 for strong and reliable fastening of aluminum structures to concrete and other solid surfaces.

[Link to the product →](#)



### Technical data/items supplied

- Steel, galvanized
- Ø 12 mm
- With hexagonal nut and washer
- Weight = 0.114 kg/piece

### Applications

- Zavarujte in pritrdite konstrukcije v povezavi s talnim nosilcem, izravnalno ploščo ali stacionarno ploščo

### Assembly

- Fit bore in the bottom
- Use floor anchor in connection with angle, levelling plate or floor mounting plate