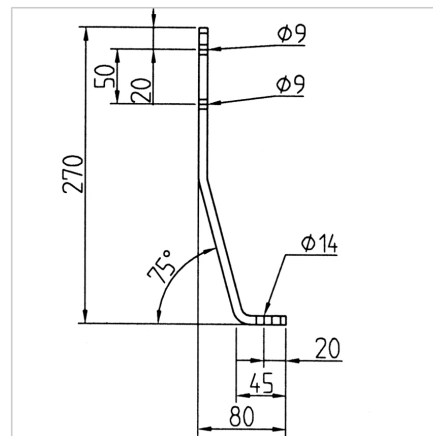
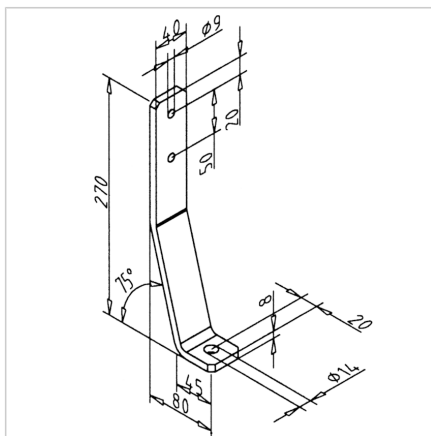


FLOOR ANGLE BRACKET LONG

Code: 210015/0

Reinforced angle bracket for floor or wall mounting of heavy constructions, ensuring secure fixation even under dynamic loads.

[Link to the product →](#)



Technical data/items supplied

- Steel, powder-coated, grey
- With fastening material steel, zinc plated
- Without dowels
- Weight = 0.786 kg/piece

Applications

- For securing heavy constructions under dynamic load on floor or wall

Assembly

- On the profile side with cylinder screw M8 x 20, SW 5
- Bottom side with high performance anchor 12 **part no. 211115/0**
- Also suitable for subsequent mounting