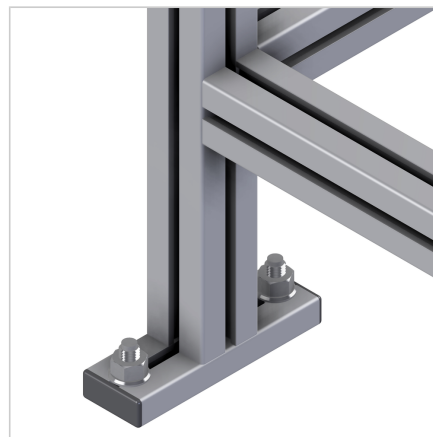
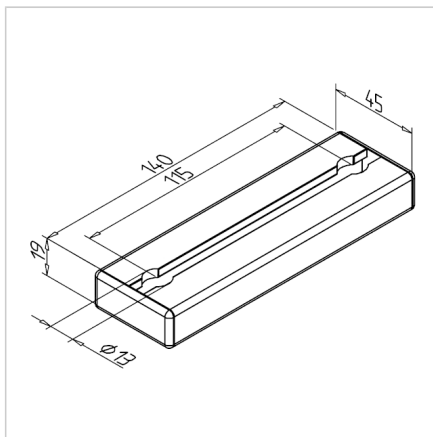


FLOOR MOUNTING PLATE 45

Code: 211730/0

Floor mounting plate 45 for secure anchoring of aluminum structures to the floor.

[Link to the product →](#)



Technical data/items supplied

- Aluminium, anodized E6/EV1
- Profile 45 x 19
- With caps, grey
- Without fastening kit
- Weight = 0.130 kg/piece

Applications

- Floor fixing of columns from profile 45 x 45

Assembly

- Secure profile with MiniTec profile connector
- On floor side: 2 floor anchors **part no.** [211082/0](#)