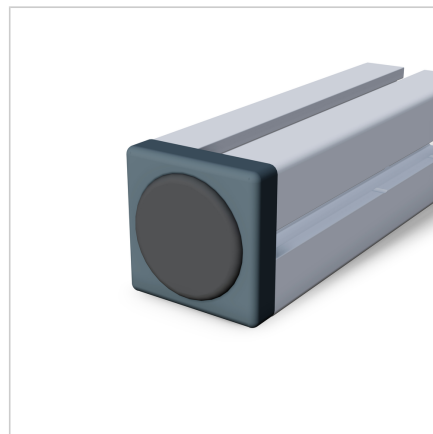
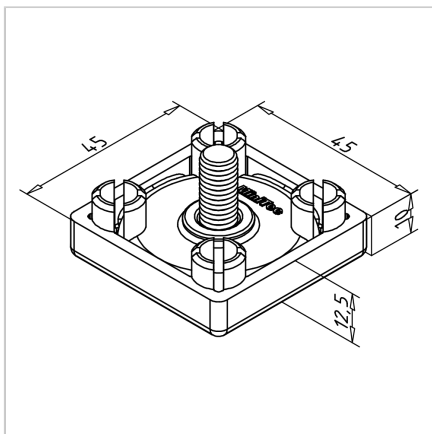
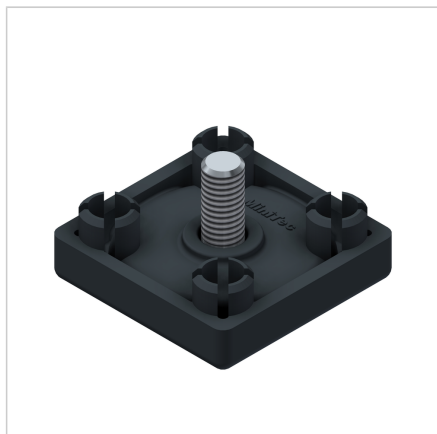


FLOOR MOUNTING PLATE 45X45 G

Code: 221217/0

Floor mounting plate 45x45 G for secure anchoring of aluminum structures to the floor.

[Link to the product →](#)



Technical data/items supplied

- ABS, Injection Mould, grey
- Anti-slip license NBR, black
- With fastening screw M8, galvanized
- Load capacity: 1000 kg
- Weight = 0.032 kg/piece

Applications

- For use with all profiles with cross section 45x45
- For non-slip installation of tables and racks
- Reduces noise and protects the floor

Assembly

- Fasten to central profile bore with fixation material from delivery scope
- Then insert anti-slip certificate