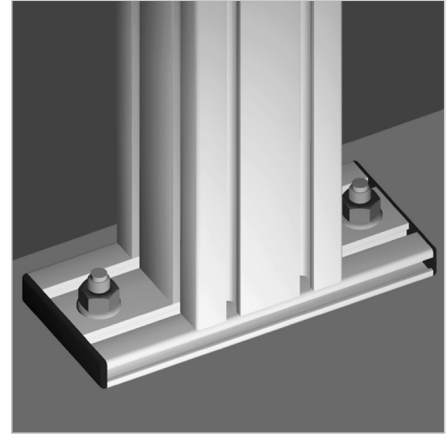
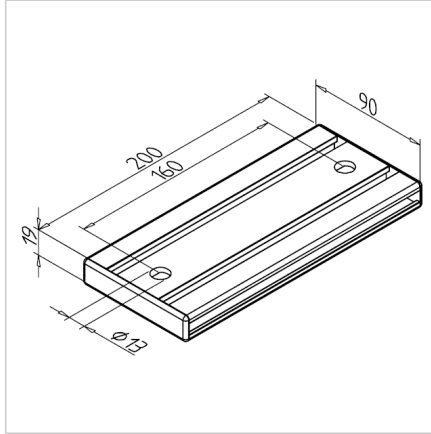
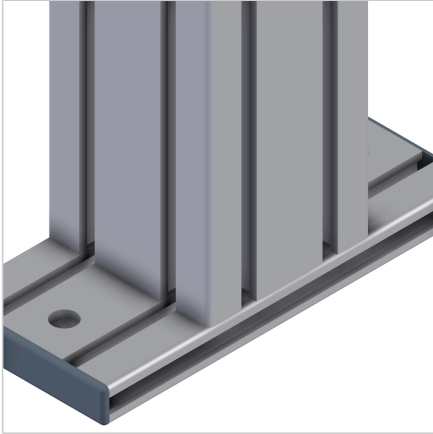


FLOOR MOUNTING PLATE 90

Code: 211733/0

Floor mounting plate 90 for secure anchoring of aluminum structures to the floor.

[Link to the product →](#)



Technical data/items supplied

- Aluminium, anodized E6/EV1
- Profile 19 X 90
- With caps, grey
- Without fastening kit
- Weight = 0.470 kg/piece

Applications

- Floor fixing of columns from profile 45 x 90 oder 90 x 90

Assembly

- On profile side: 2 or 4 MiniTec power-lock fasteners
- On floor side: 2 floor anchors **part no.** [211082/0](#)