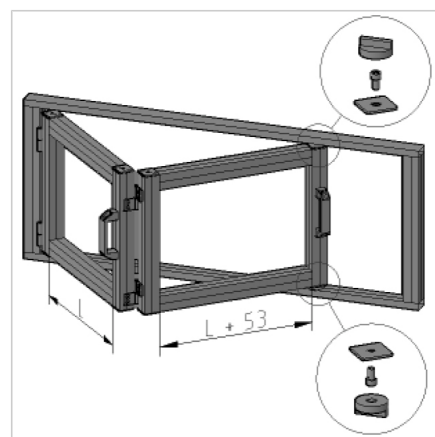
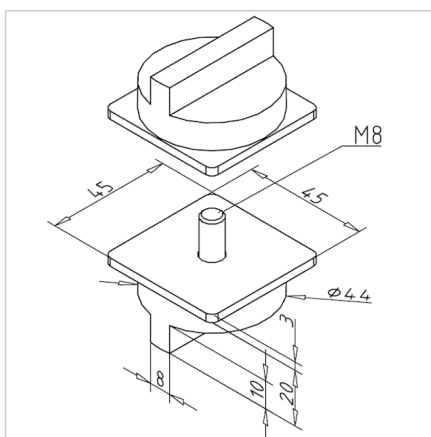


FOLDING DOOR GUIDE SET

Code: 221148/0

Folding door set ensures top and bottom guidance of aluminum profile folding doors, offering stable and quiet movement within profile grooves.

[Link to the product →](#)



Technical data/items supplied

- PE-UHMW, black
- Delivery: 1 pair
- With galvanized mounting screws M8 and end caps 45 x 45 AL
- Weight = 0.082 kg/set

Applications

- For upper and lower guidance of folding doors made of aluminium profile
- Guiding in profile grooves

Assembly

- Mount end caps onto front door profile with screws from delivery scope
- Length of the front door profile = clear height of the outer frame - 28 mm
- Insert sliding piece in guide profile
- Insert mounted screws into drill hole of slide element
- Use always in pairs
- Dimensions are for profile cross section 45x45 for the door with hinge **part no.** [211378/0](#)