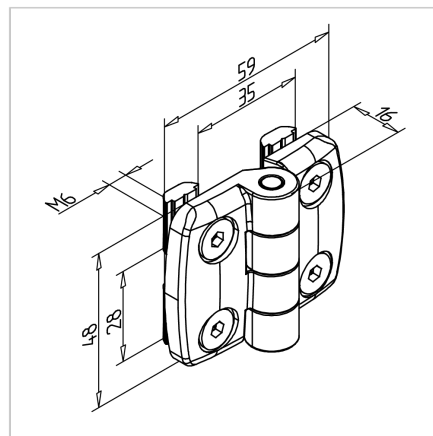


FOLDING HINGE 30 GD

Code: 212532/0

Hinge 30 GD for easy and strong connection of aluminium profiles. Ideal for safety unit doors and other movable construction elements.

[Link to the product →](#)



Technical data/items supplied

- Aluminium, Pressure die-casting, nickel-plated, silver
- With stainless steel shaft
- Fastening material steel, galvanized
- Load capacity up to 300 N
- Weight = 0.098 kg/piece

Applications

- Suitable for all profiles of series 30
- Doors and lids
- Guard units
- Connection of profiles at various angles

Assembly

- Screw tight to the profile groove with supplied hardware