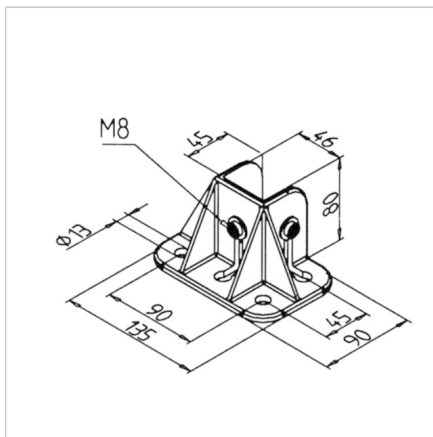


FOOT 45 GD-O

Code: 211738/0

Support foot 45 GD open for secure mounting of floor and wall aluminum components.

[Link to the product →](#)



Technical data/items supplied

- Aluminium, Pressure die-casting, powder-coated, grey
- With galvanized steel fastening material, for profile
- Weight = 0.356 kg/piece

Applications

- Floor fastening of guard units, signboards, racks
- As connection element for wall attachment; can be used both-sided

Assembly

- Insert profile into foot
- Insert the square nut with spring steel sheet into the profile groove; Preassemble the screws
- Fix the foot on the floor or the wall; use the floor anchors or the universal plugs with a hexagonal head screw
- Tighten fastening screws