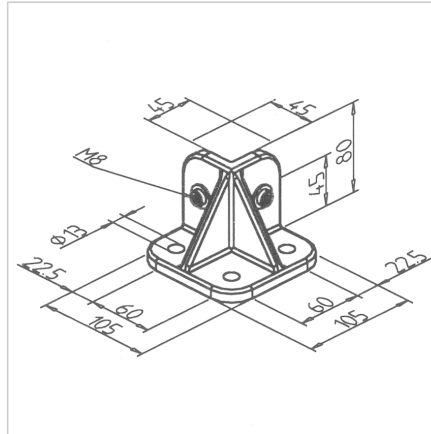


FOOT 45 GD-S

Code: 211723/0

Support foot 45 GD S for universal floor or wall mounting of aluminum floor and wall structures.

[Link to the product →](#)



Technical data/items supplied

- Aluminium, Pressure die-casting, powder-coated, grey
- With galvanized steel fastening material, for profile
- Weight = 0.499 kg/piece

Applications

- Floor fastening of guard units, signboards, racks
- As connection element for wall attachment; can be used both-sided
- For all profiles

Assembly

- Fix the foot on the floor or the wall; use the floor anchors or the universal plugs with a hexagonal head screw
- Tighten fastening screws