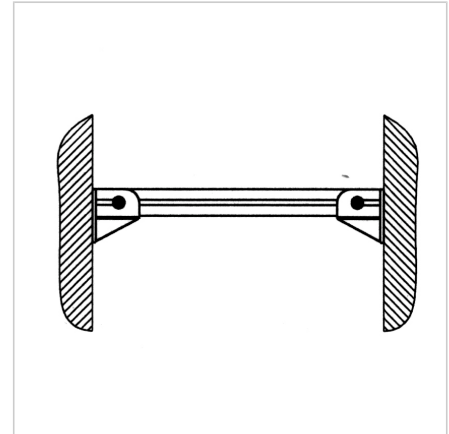
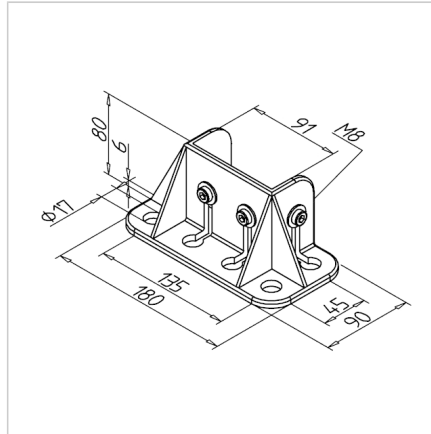


FOOT 90 GD

Code: 211737/0

Support foot 90 GD for reliable and sturdy support of aluminum profiles in constructions

[Link to the product →](#)



Technical data/items supplied

- Aluminium, Pressure die-casting, powder-coated, grey
- With galvanized steel fastening material, for profile
- Weight = 0.465 kg/piece

Applications

- Fitting for profiles with maximum dimension of 45 x 90, 90 x 90 and 90 x 180
- Floor fastening of guard units, signboards, racks
- As connection element for wall attachment; can be used both-sided

Assembly

- Insert profile into foot
- Insert the square nut with spring steel sheet into the profile groove; Preassemble the screws
- Fix the foot on the floor or the wall; use the floor anchors or the universal plugs with a hexagonal head screw
- Tighten fastening screws