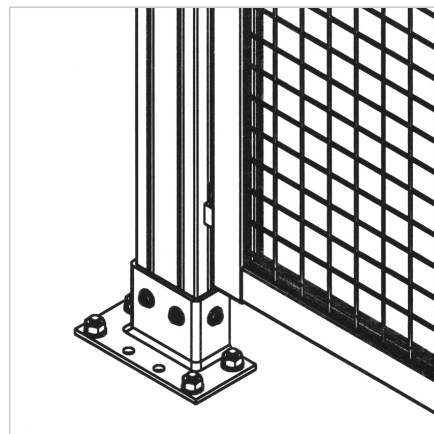
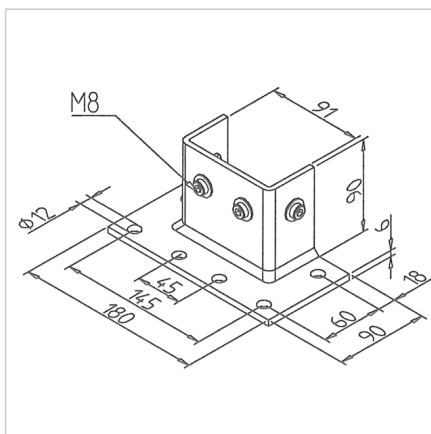


FOOT 90 STEEL

Code: 211707/0

Heavy-duty steel support foot 90 S for floor or wall mounting of structures with profiles up to 90 x 180.

[Link to the product →](#)



Technical data/items supplied

- Steel, galvanized
- With galvanized steel fastening material, for profile
- Weight = 1.438 kg/piece

Applications

- Fitting for profiles with maximum dimension of 45 x 90, 90 x 90 and 90 x 180
- Floor fastening of guard units, signboards, racks
- As connection element for wall attachment; can be used both-sided

Assembly

- Insert the square nut with spring steel sheet into the profile groove; Preassemble the screws
- Fix the foot on the floor or the wall; use the floor anchors or the universal plugs with a hexagonal head screw
- Tighten fastening screws