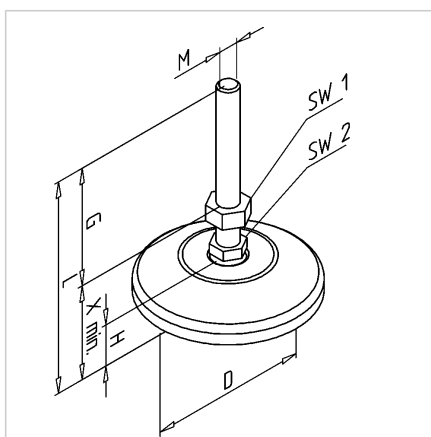


## FOOT M08 D30 GD L=72

Code: 211851/0

Adjustable foot for aluminium profiles M08 D30 L=72 provides stable support and easy height adjustment for versatile constructions.

[Link to the product →](#)



### Technical data/items supplied

- Plate PA, grey
- Anti-slip license NBR, black
- Spindle steel, galvanized
- Lock nut steel, galvanized
- Angular compensation up to 15°
- D = 30 mm  
H = 20 mm  
Load capacity max. 300 kg
- Dimension G = 33.5 mm  
Dimension X = 38.5 mm  
SW1 = 13 mm  
SW2 = 14 mm  
Dimension L = 72,5 mm
- Weight = 0.053 kg/piece

### Applications

- Height adjustable constructions of all kinds
- Protective equipment, tables, showcases
- Conveyors, system workstations

### Assembly

- Direct in central drilling of the profiles
- For threads larger than M12, the hinged feet must be mounted in conjunction with the connection plate
- For profiles 45 x 90 und 90 x 90 a base and transport plate is required, if the feet are to be positioned centrally