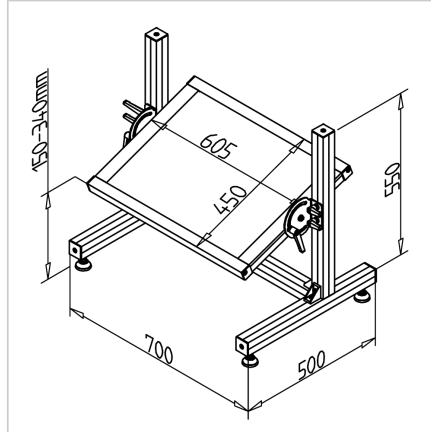
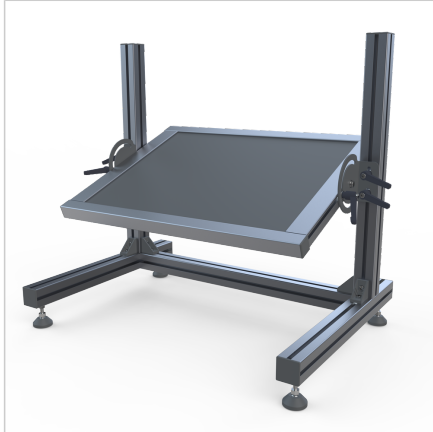


FOOT REST STANDARD

Code: 320160/0

Footrest allows more comfortable work and reduces lower-body tension.

[Link to the product →](#)



Technical data/items supplied

- Base construction profile 45x45 under tables, workstations
- Fully assembled
- Also available as ESD version under Art. no. [320160/6](#)
- Footrest: chipboard, coated, basalt grey, oil resistant
- Height and inclination manually adjustable
- Free-standing
- Weight = 9.475 kg/piece

Applications

- Facilitates proper sitting at the table