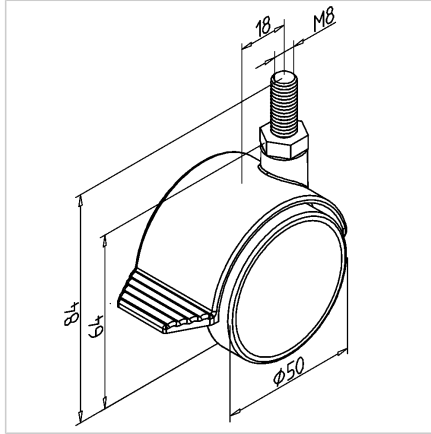


FURNITURE WHEEL WITH LOCKING DEVICE

Code: 211153/0

Furniture castor with brake for secure, stable fixation and prevention of unwanted movement.

[Link to the product →](#)



Technical data/items supplied

- PA, black
- Double role with sliding bearing
- With fastening material steel, zinc plated
- Load capacity 30 kg
- Weight = 0.080 kg/piece

Applications

- Light movable tables
- Movable file box
- Furniture

Assembly

- Install directly in the center hole of the vertical profile with mounting material
- If the wheel must be positioned centrally for profile cross-sections 45 x 90 or greater, a base and transport plate with thread M8 is required