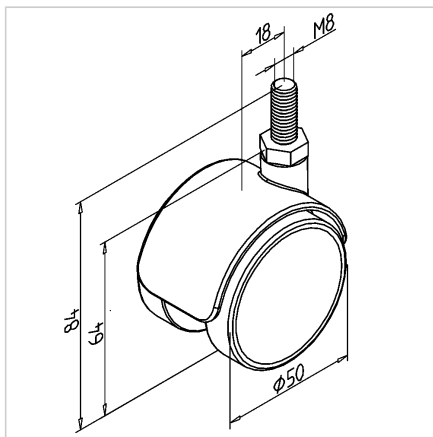


## FURNITURE WHEEL WITH OUT LOCKING DEVICE

Code: 211105/0

Furniture castor for smooth, easy movement and enhanced flexibility of furniture.

[Link to the product →](#)



### Technical data/items supplied

- PA, black
- Double role with sliding bearing
- With fastening material steel, zinc plated
- Load capacity 30 kg
- Weight = 0.076 kg/piece

### Applications

- Light movable tables
- Movable file box
- Furniture

### Assembly

- Install directly in the center hole of the vertical profile with mounting material
- If the wheel must be positioned centrally for profile cross-sections 45 x 90 or greater, a base and transport plate with thread M8 is required