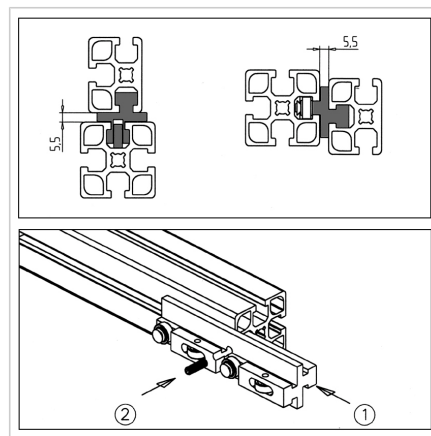
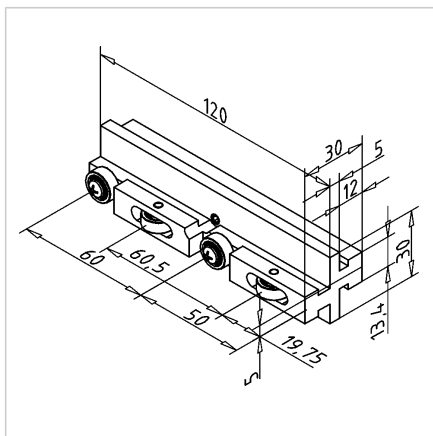
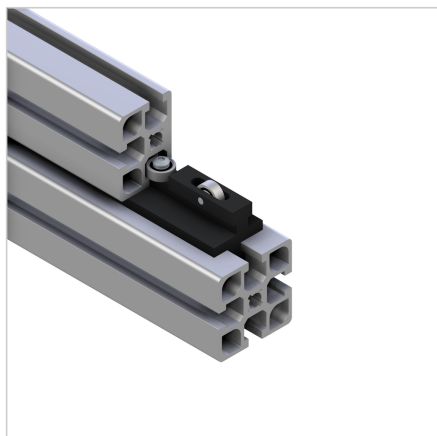


GLIDE ROLL ELEMENT

Code: 211799/0

Slide-roll element ensures smooth and precise movement of sliding components within aluminum profile grooves, ideal for door and panel applications.

[Link to the product →](#)



Technical data/items supplied

- PE-UHMW, black
- 1 clamping screw, steel, zinc plated
- 4 built-in ball-bearings
- Weight = 0.061 kg/piece

Applications

- Guide for sliding doors, lifting-doors, workpiece-slides, light linear guides
- Both groove holders are arranged in parallel, for simplify the design of flush sliding doors

Assembly

- 1: Insert the element with screw side into profile groove of movable construction part
- 2: secure with threaded pin
- 3: Slide the completely mounted movable part into the grooves of the guiding profiles. Secure the movable part against falling out with screws at both ends