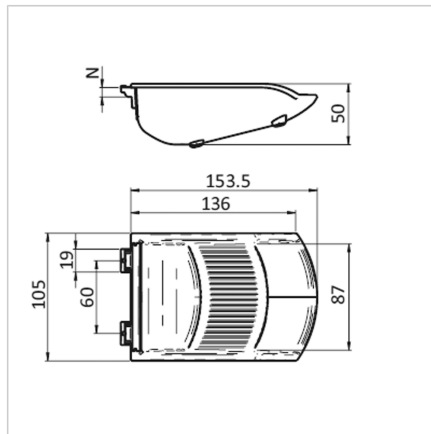


## GRAB CONTAINER, GREY

Code: 320681/0

ESD workbench shelf provides organized storage, quick access, and safe handling of small electronic components and fasteners.

[Link to the product →](#)



### Technical data/items supplied

- Plastic, grey
- Max. load capacity up to 3 kg
- Scope of delivery set:
  - 1 grab container
  - 1 window
  - 1 label
  - 4 Elastic buffer, self-adhesive
- Also available in ESD version under **part no.** 320682/1 available
- Weight = 0.120 kg/piece

### Applications

- Provision of small parts, screws, nuts ect. at assembly workstations
- Suitable for all 45er profiles

### Assembly

- Can be easily mounted by swinging it into the profile groove.