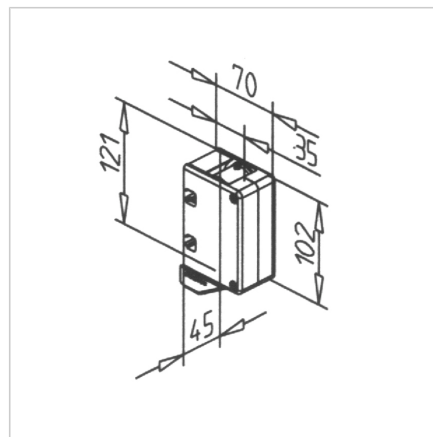
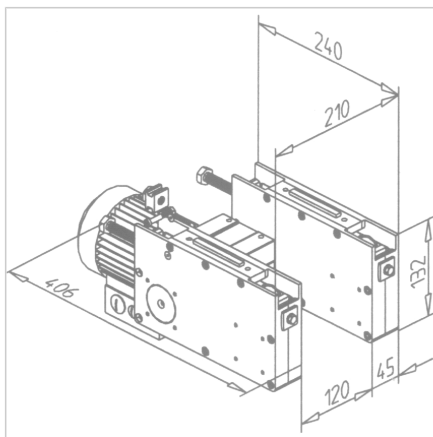


BASIC MODULE 200 TSG

Code: 430010/0

[Link to the product →](#)



Technical data/items supplied

- Drive unit with integrated belt tensioners consisting of 2 counter-reverse units with connecting shaft
- 4 timing belt reverse units for 25 T5 timing belt
- Track width: 200 mm

Applications

- All TSG transfer systems with 25 T5 timing belt

Assembly

- Remove drive unit cover
- Screw drive unit securely with attachment set centrally on the bottom of the basic line
- Remove covers from reverse units
- Fasten reverse units with profile connectors at the ends of the base section
- Insert timing belt
- Install cover of drive units and reverse units
- Tighten the timing belt
- Easy re-tightening of timing belt at drive unit, without prior disassembly, also during operation