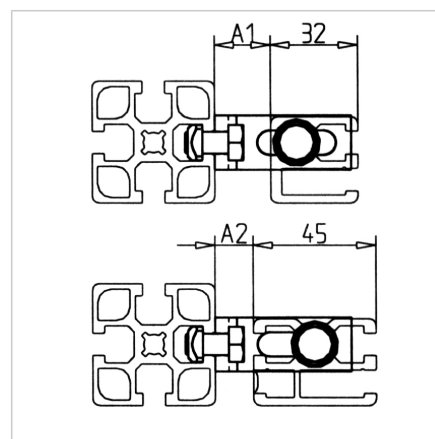
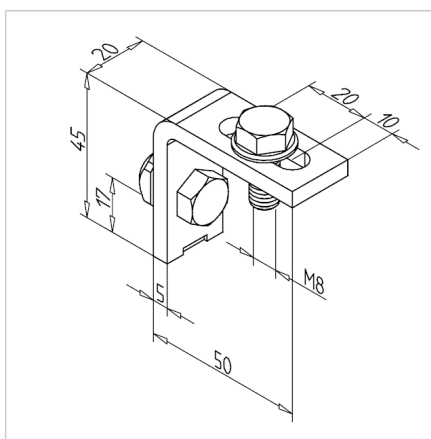
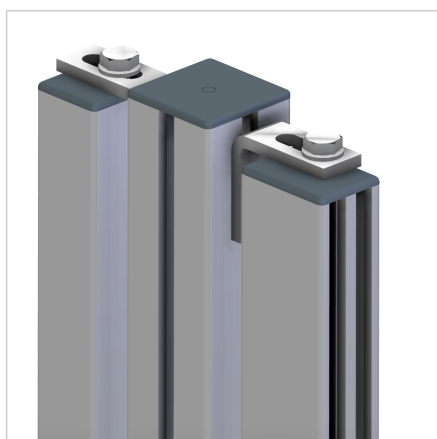


GUARD UNIT FIXING ANGLE 19

Code: 211399/0

Guard unit fixing angle 19 for fastening guard units from clamping profiles 32x32, 45x32, or standard profiles. Supports attachment at any angle.

[Link to the product →](#)



Technical data/items supplied

- Steel, galvanized
- With fastening material steel, zinc plated
- Weight = 0.089 kg/piece

Applications

- Fastening guard units from clamping profile 32 x 32, 45 x 32 or standard profiles
- Attachment of guard units at any angle
- When using clamping profile 32x32 use end cap **part no. 221032/3**
- When using clamping profile 45x32 use end cap **part no. 221046/3**

Assembly

- Spread screw threads M8 x 20 into the profile ending of the guard unit
- Install guard unit suspension on posts
- Fix guard with screws of fastening kit
- Alternatively: For very fast assembly, the lower two threads can be fitted with the retaining pin 25 **part no. 211758/0**. Screw fastening only on the two upper threads
- A1 = 10.5 mm - 30.5 mm A2 = 10.5 mm - 17.5 mm