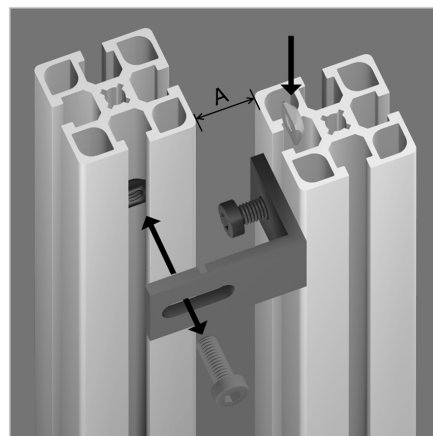
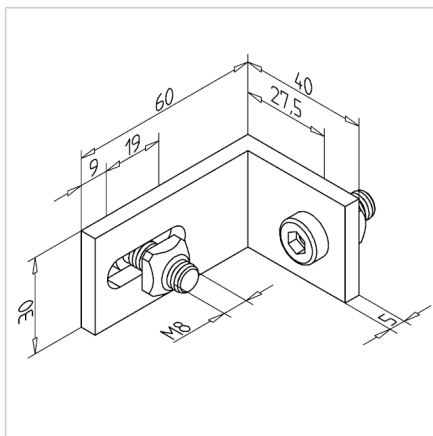


GUARD UNIT FIXING ANGLE 45 AL

Code: 211407/0

Guard unit fixing angle 45 for securing guard units made from 45 x 45 aluminium profiles. Suitable for use in frames made from any profile type.

[Link to the product →](#)



Technical data/items supplied

- Aluminium, anodized E6/EV1
- With fastening material steel, zinc plated
- Weight = 0.068 kg/piece

Applications

- Fixation of guard units from profile 45 x 45
- Usable in frames made from any profile
- The guard unit flush fits to the column

Assembly

- Fasten to profile groove with supplied hardware
- No machining required
- First attach the brackets to the standing profile, then connect the guard unit from the rear to the brackets
- A = 10 mm - 28 mm