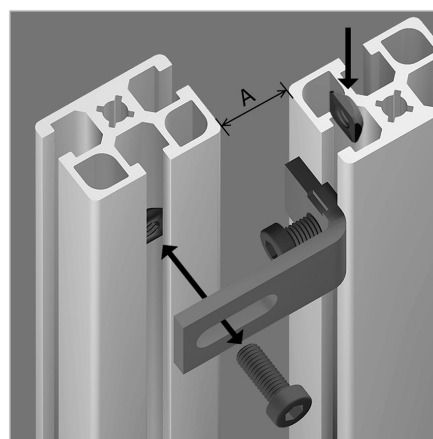
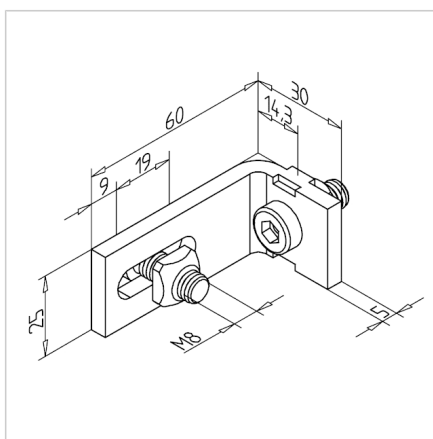


GUARD UNIT FIXING ANGLE 45 ST

Code: 211404/0

Guard unit fixing angle 45 steel for securing guard units from 45 x 32 aluminium profiles. Ensures stability and precise alignment.

[Link to the product →](#)



Technical data/items supplied

- Steel, galvanized
- With fastening material steel, zinc plated
- Weight = 0.104 kg/piece

Applications

- Fixation of guard units from profile 45 x 32
- Usable in frames made from any profile
- The guard unit flush fits to the column

Assembly

- Fasten to profile groove with supplied hardware
- No machining required
- First attach the brackets to the standing profile, then connect the guard unit from the rear to the brackets
- A = 10 mm - 28 mm