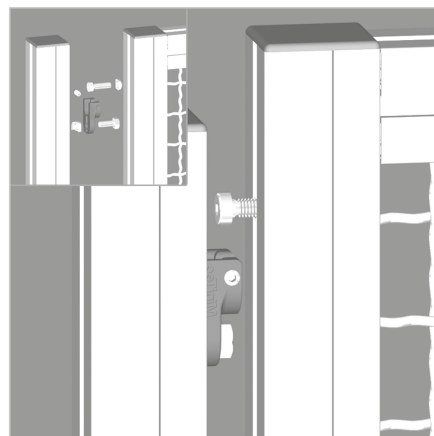
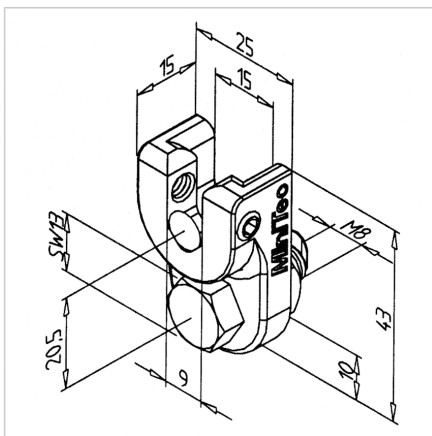
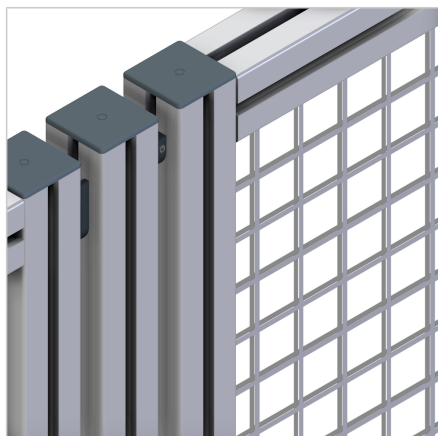


## GUARD UNIT FIXING ANGLE GD-K

Code: 210008/0

Guard unit fixing angle GD-K for attaching guards made from various profiles. Suitable for different mounting options including movable flaps.

[Link to the product →](#)



### Technical data/items supplied

- Aluminium, Pressure die-casting, powder-coated, grey
- With fastening material steel, zinc plated
- Weight = 0.039 kg/piece

### Applications

- Guards from all profiles
- Movable flaps
- It is also possible to mount the guards at the front when fitting the suspensions to the front of the post

### Assembly

- Fasten guard unit hanger assembly in place on columns
- Guard unit with cylinder screws M8 x 25 furnished
- Hang the guard in place, and tighten the set screw using an Allen key from the rear
- $A = 16 \text{ mm} \pm 0.75$
- **Guard cannot be removed from outside**