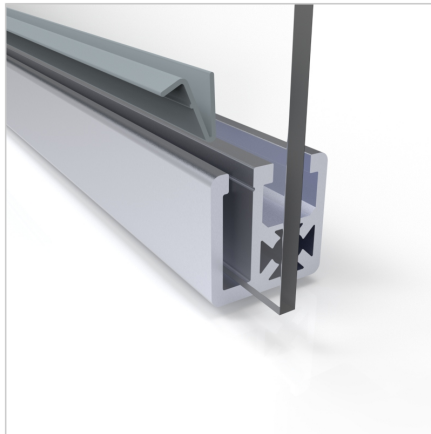


GUARD UNIT SG 1250 X 1820 POLY - KP 32X32

Code: 230115/0

Polycarbonate fence 1250 x 1820 panels are suitable for various industrial spaces, providing safety and easy visual monitoring.

[Link to the product →](#)



Technical data/items supplied

- Made of clamp profile 32 x 32 UL, completely preassembled
- With polycarbonate 5
- Standard height HS: 1820 mm
- Weight = 19.838 kg/piece

Applications

- For cordoning off danger zones
- As machine protection

Assembly

- Install guard panel non guard unit posts using fastening kit 19 **article no. 230010/0** or fastening kit for SG panels **article no. 230011/0**