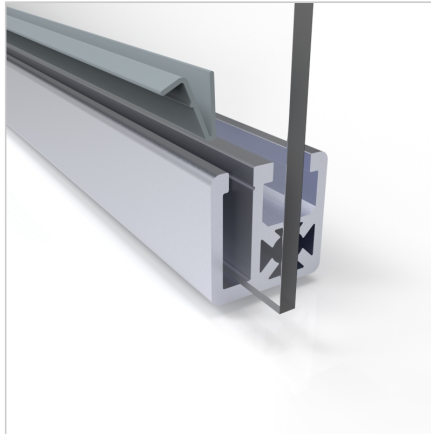


## GUARD UNIT SG 750 X 1820 POLY - KP 32X32

Code: 230113/0

Modular polycarbonate fence panels 750 x 1820 allow quick assembly, flexible zoning, and a safe working environment.

[Link to the product →](#)



### Technical data/items supplied

- Made of clamp profile 32 x 32 UL, completely preassembled
- With polycarbonate 5
- Standard height HS: 1820 mm
- Weight = 13.259 kg/piece

### Applications

- For cordoning off danger zones
- As machine protection

### Assembly

- Install guard panel non guard unit posts using fastening kit 19 **article no. 230010/0** or fastening kit for SG panels **article no. 230011/0**