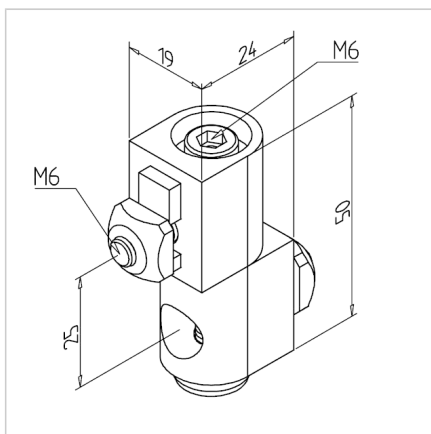
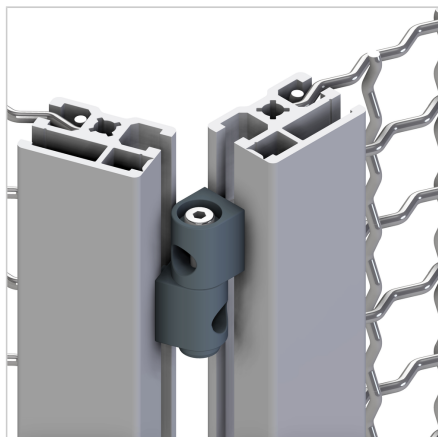


GUARD UNIT WITH ADJUSTABLE FIXING ANGLE

Code: 211403/0

Adjustable angle fixing bracket for flexible connection and installation of safety fence components at any desired angle.

[Link to the product →](#)



Technical data/items supplied

- Aluminium, Pressure die-casting, powder-coated, grey
- With fastening material steel, zinc plated
- Weight = 0.114 kg/piece

Applications

- Connection of profile support under preferred angle
- Installation of safety fence elements at any angle

Assembly

- Assemble and align lower halves onto posts
- Assemble and mount upper halves on guard unit
- Insert the cylinder head screw and tighten it with key 4 A/F. The inserted hexagon nut in the lower fixing half is secured against torsion