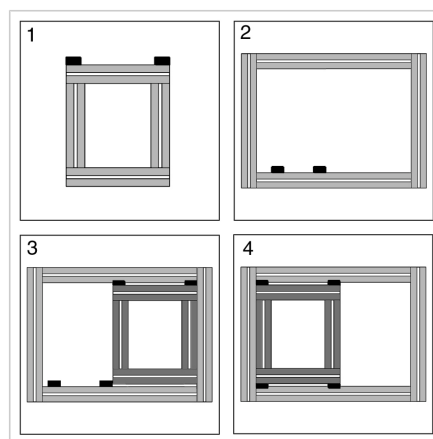
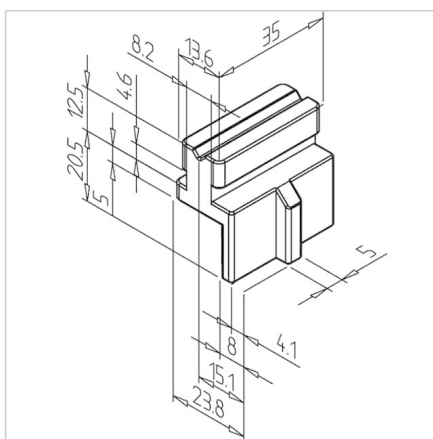
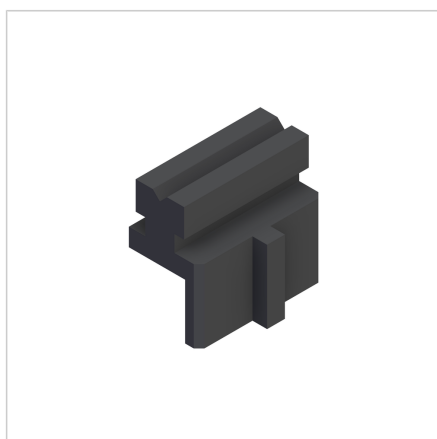


## GUIDE FOR SLIDING DOOR

Code: 221079/0

Sliding door guide 45 allows smooth movement of two elements in one groove. Perfect for retrofitting sliding doors in aluminum profile systems.

[Link to the product →](#)



### Technical data/items supplied

- PA, black
- 1 locking screw
- For 1 door element 4 guides are necessary
- Weight = 0.014 kg/piece

### Applications

- Sliding doors
- Sliding elements
- For a simultaneous guidance of 2 elements in 1 profile groove
- It is possible to retrofit sliding doors in existing constructions

### Assembly

- 1: Fasten the upper guide to the frame of the door element
- 2: Insert the lower guide into the frame construction
- 3: Rotate the door element
- 4: Slide it into the lower guide and secure at desired position
- Replace the second door element
- **Height of door elements:**  
clear height of the installation opening -11 mm
- **Width of door elements** (with 2 elements):  
(lichte Weite + 49 mm) : 2