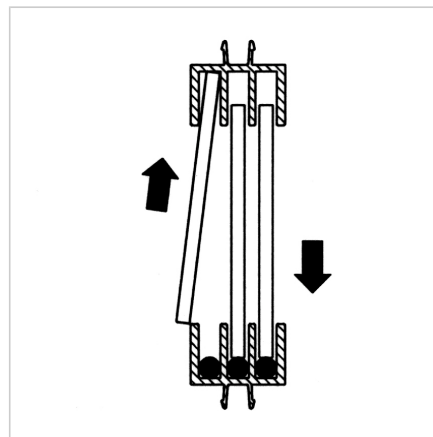
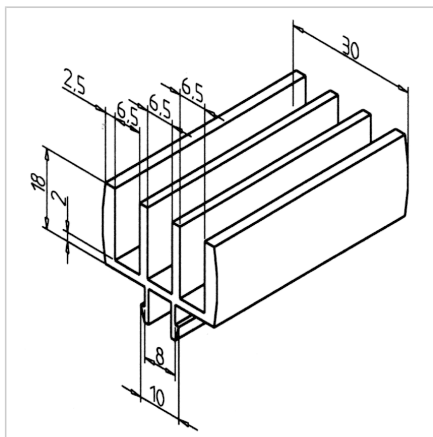
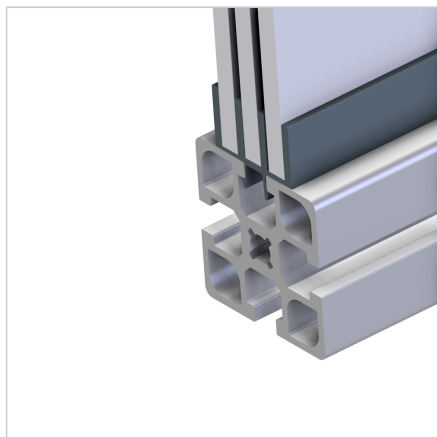


GUIDE PROFILE 3 GREY L=2m

Code: 221075/1

Guide profile 3 for stable and quiet sliding of three panels in window assemblies.

[Link to the product →](#)



Technical data/items supplied

- PVC, extruded, grey
- On request also available in black, **part no. 221075/0**
- Weight = 0.340 kg/m
- Bar length = 2 m

Applications

- 3-fold sliding window made of surface elements up to 6 mm thick

Assembly

- Press into profile groove
- Suitable for subsequent mounting
- For retrofitting the surface elements must be inserted in the grooves of the lower guide profile round rods **part no. 221077/0**
- Determination of dimensions for surface elements for subsequent mounting: Light height- 20 mm, further light height - 10 mm