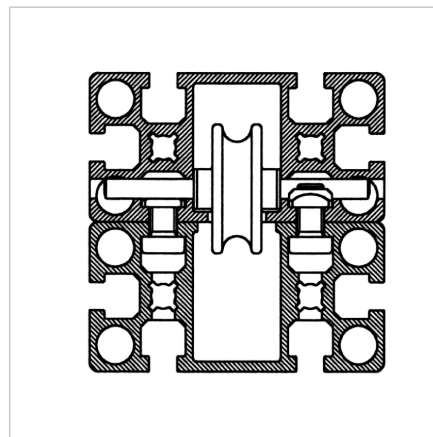
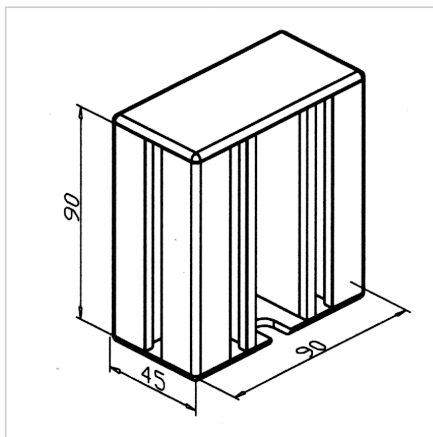
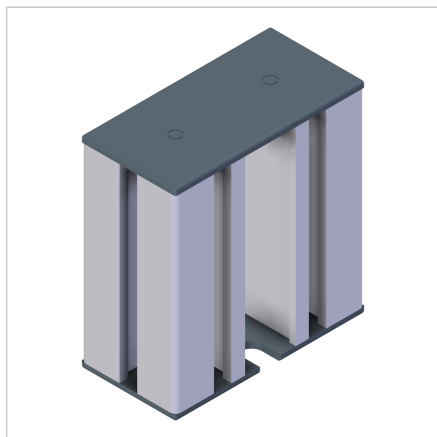


HAND PROTECTION

Code: 211780/0

Hand protection preventing squeezing hazards at cable or chain inlets for safe and injury-free operation.

[Link to the product →](#)



Technical data/items supplied

- Aluminium, anodized E6/EV1
- From profile 45 x 90
- Matching caps, one of them with recess for cable or chain passage
- Length 90 mm
- With fastening nut steel, galvanized
- Weight = 0.290 kg/piece

Applications

- Securing from squeezing points in the area of the cable or chain inlet

Assembly

- Mount with supplied hardware