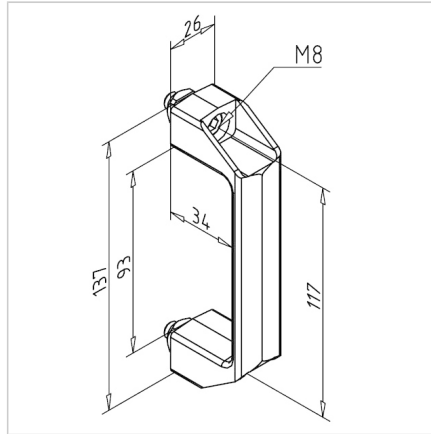


HANDLE 120 ESD, BLACK

Code: 321007/0

ESD handle 120 in black for safe, antistatic use on devices and doors made from profile systems in ESD-controlled areas.

[Link to the product →](#)



Technical data/items supplied

- PA, black
- Fastening kit
- Weight = 0.073 kg/piece

Applications

- Doors
- Lids
- Guard units

Assembly

- Fasten to profile groove with supplied hardware
- Directly on surface element with cylinder head screw M8
- Also assembly possible from rear side