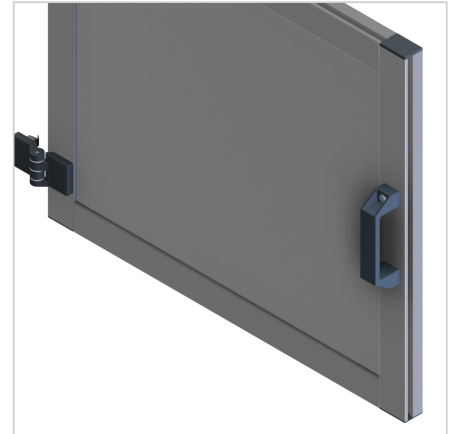
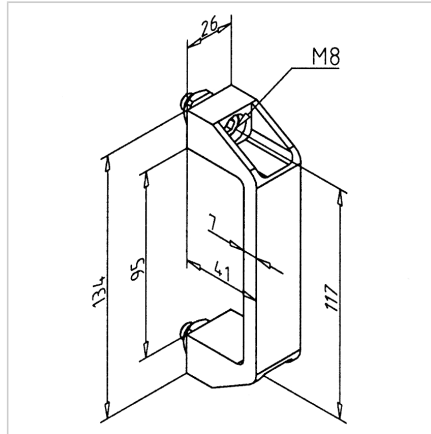


HANDLE 120 GREY

Code: 211092/1

Door handle 120 mm in grey color for safe, comfortable grip on protective doors made from aluminium profiles.

[Link to the product →](#)



Technical data/items supplied

- PA, grey
- With fastening material steel, zinc plated
- For use on vertical struts, handle **part no.** [211092/4](#) (square nuts with position-fixing)
- Upon request, available in black, **part no.** [211092/0](#)
- ESD-compatible, also available in black **part no.** [321007/0](#), upon request
- Weight = 0.070 kg/piece

Applications

- Doors
- Lids
- Guard units

Assembly

- Fasten to profile groove with supplied hardware
- Directly on surface element with cylinder head screw M8