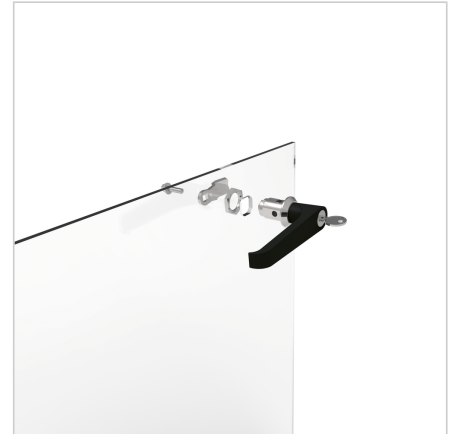
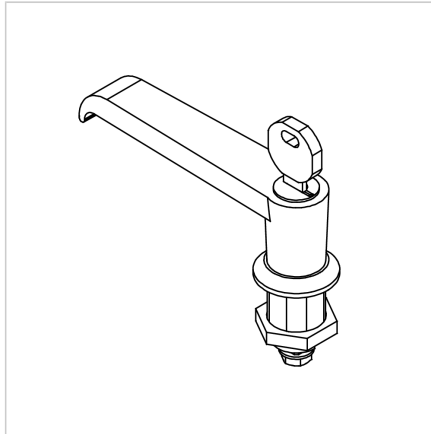
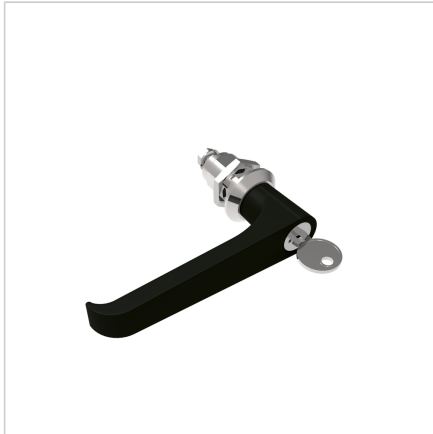


HANDLE 19 WITH LOCK (BLACK)

Code: 211478/0

Door handle 19 with lock in black for secure and reliable locking of safety doors and panels in industrial environments.

[Link to the product →](#)



Technical data/items supplied

- Zinc, Pressure die-casting
- Handle PA, black
- Housing DG Zn GD Zn, grey
- With fastening nut steel, galvanized
- Without locks
- Weight = 0.190 kg/piece

Applications

- For profiles 19
- Locking of doors and lids in guard units

Assembly

- Drill the bore according to the sketch
- Using a ratchet handle, tighten the fastening nut from behind