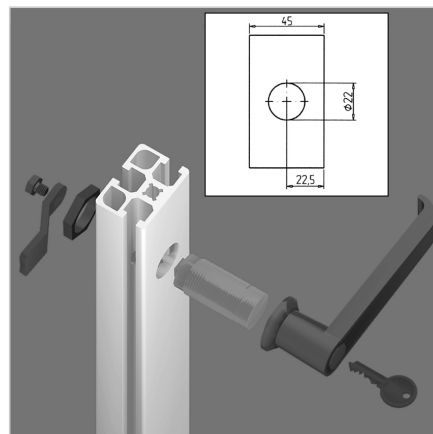
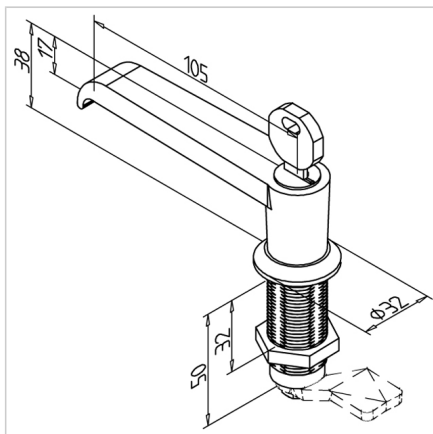


## HANDLE 32 WITH LOCK (GREY)

Code: 211091/4

Door handle 32 with lock in grey for secure and reliable locking of safety doors and panels in industrial environments.

[Link to the product →](#)



### Technical data/items supplied

- Handle PA, grey  
Housing DG Zn GD Zn, grey
- With fastening nut steel, galvanized
- Without locks
- Upon request, available in black, **part no.** 211091/2
- Weight = 0.211 kg/piece

### Applications

- For profiles 32
- Locking of doors and lids in guard units

### Assembly

- Drill hole  $\varnothing 22$  mm in the centre of the profile recommended: anti-twist protection F **part no.** 210941/0
- To ensure the torsion protection, a pocket with SW 20.1 mm can alternatively be milled
- Using a ratchet handle, tighten the fastening nut from behind