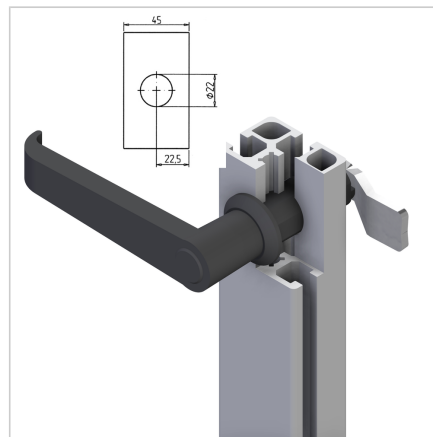
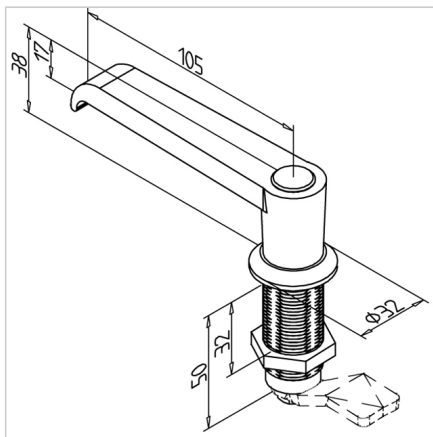


HANDLE 32 WITH OUT LOCK (BLACK)

Code: 211087/2

Door handle 32 in black for secure and reliable locking of safety doors and panels in industrial environments.

[Link to the product →](#)



Technical data/items supplied

- Zinc, Pressure die-casting, black
- With fastening nut steel, galvanized
- Without locks
- Weight = 0.173 kg/piece

Applications

- For profiles 32
- Locking of doors and lids in guard units

Assembly

- Drill hole \varnothing 22 mm in the centre of the profile recommended: anti-twist protection F **part no.. 210941/0**
- To ensure the torsion protection, a pocket with SW 20.1 mm can alternatively be milled
- Using a ratchet handle, tighten the fastening nut from behind