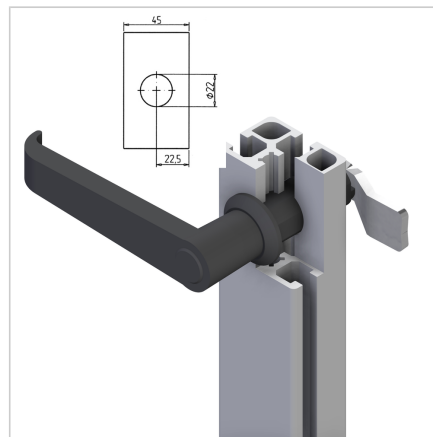
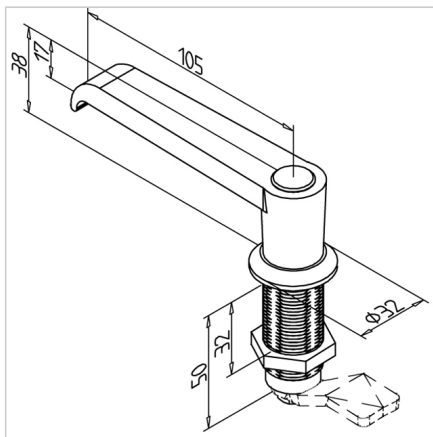


HANDLE 32 WITH OUT LOCK (GREY)

Code: 211087/4

Door handle 32 in grey for secure and reliable locking of safety doors and panels in industrial environments.

[Link to the product →](#)



Technical data/items supplied

- Handle PA, grey
Housing DG Zn GD Zn, grey
- With fastening nut steel, galvanized
- Without locks
- On request also available in black, **part no. 211087/2**
- Weight = 0.172 kg/piece

Applications

- For profiles 32
- Locking of doors and lids in guard units

Assembly

- Drill hole \varnothing 22 mm in the centre of the profile recommended: anti-twist protection F **part no. 210941/0**
- To ensure the torsion protection, a pocket with SW 20.1 mm can alternatively be milled
- Using a ratchet handle, tighten the fastening nut from behind