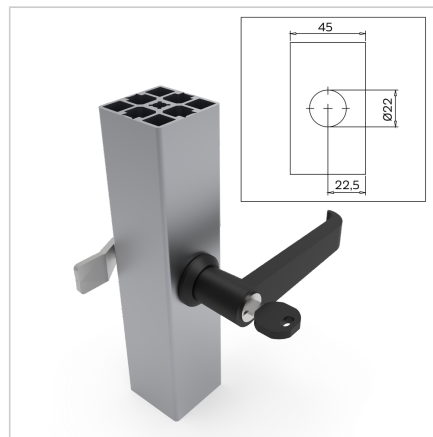
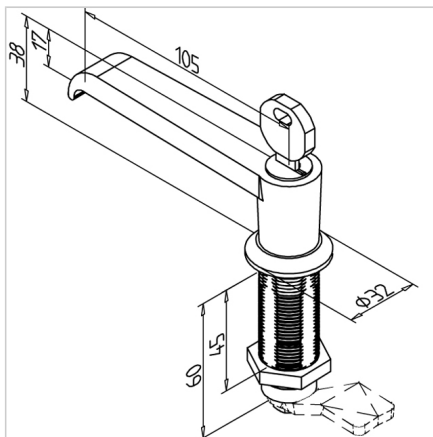


## HANDLE 45 WITH LOCK (BLACK)

Code: 211091/1

Door handle 45 with lock in black for secure and reliable locking of safety doors and panels in industrial environments.

[Link to the product →](#)



### Technical data/items supplied

- Handle PA, black
- Housing DG Zn GD Zn, grey
- With fastening nut steel, galvanized
- Without locks
- Weight = 0.230 kg/piece

### Applications

- For profiles 45
- Locking of doors and lids in guard units

### Assembly

- Drill hole  $\varnothing$  22 mm in the centre of the profile recommended: anti-twist protection F **part no.. 210941/0**
- To ensure the torsion protection, a pocket with SW 20.1 mm can alternatively be milled
- Using a ratchet handle, tighten the fastening nut from behind