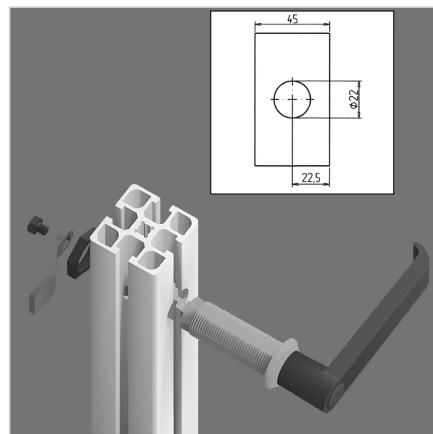
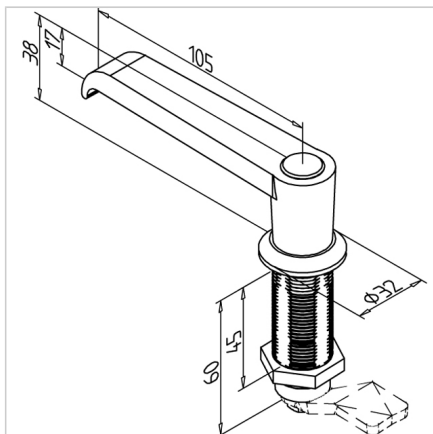
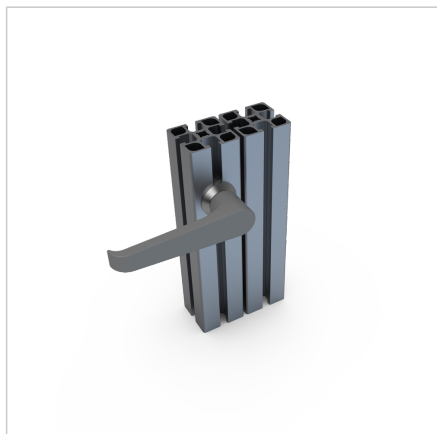


HANDLE 45 WITH OUT LOCK (GREY)

Code: 211087/3

Door handle 45 in grey for secure and reliable locking of safety doors and panels in industrial environments.

[Link to the product →](#)



Technical data/items supplied

- Handle PA, grey
- Housing DG Zn GD Zn, grey
- With fastening nut steel, galvanized
- Without locks
- Upon request, available in black, **part no.** [211087/1](#)
- Weight = 0.194 kg/piece

Applications

- For profiles 45
- Locking of doors and lids in guard units

Assembly

- Drill hole $\varnothing 22$ mm in the centre of the profile recommended: anti-twist protection F **part no.** [210941/0](#)
- To ensure the torsion protection, a pocket with SW 20.1 mm can alternatively be milled
- Using a ratchet handle, tighten the fastening nut from behind