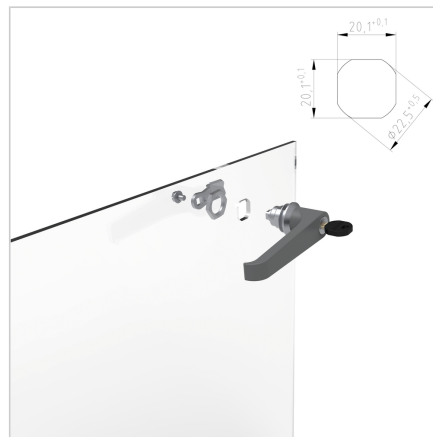
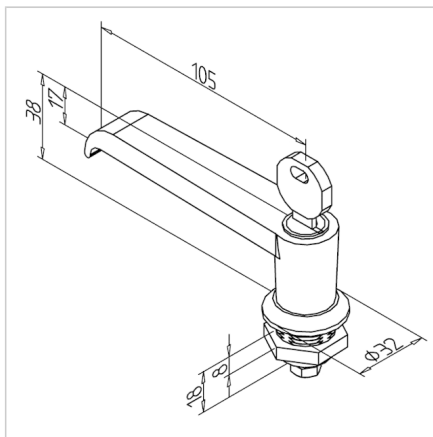


HANDLE 8 WITH LOCK (GREY)

Code: 212305/0

Door handle 8 with lock in grey for secure and reliable locking of safety doors and panels in industrial environments.

[Link to the product →](#)



Technical data/items supplied

- Handle PA, grey
- Housing DG Zn GD Zn, grey
- With fastening nut steel, galvanized
- Without locks
- Weight = 0.145 kg/piece

Applications

- Locking of doors and lids in guard units
- For surface elements up to 8 mm thickness

Assembly

- Drill the bore according to the sketch
- Using a ratchet handle, tighten the fastening nut from behind