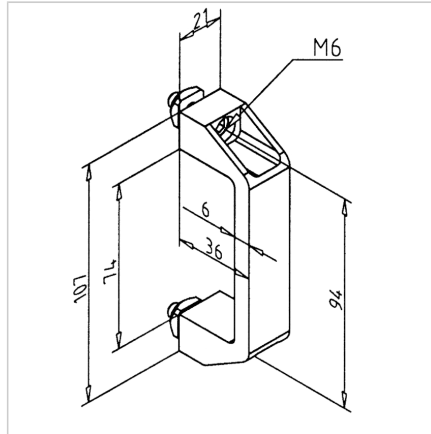


HANDLE 90 GREY F WITH SQUARE-NUT AND POSITION-FIXING

Code: 211099/4

Door handle 90 F in grey with square nut and position-fixing for secure mounting on aluminium profile structures.

[Link to the product →](#)



Technical data/items supplied

- PA, grey
- With fastening material steel, zinc plated
- Weight = 0.064 kg/piece

Applications

- Doors
- Lids
- Guard units

Assembly

- Fasten to profile groove with supplied hardware
- Directly on panel element with cylinder screw M6, length according to material thickness