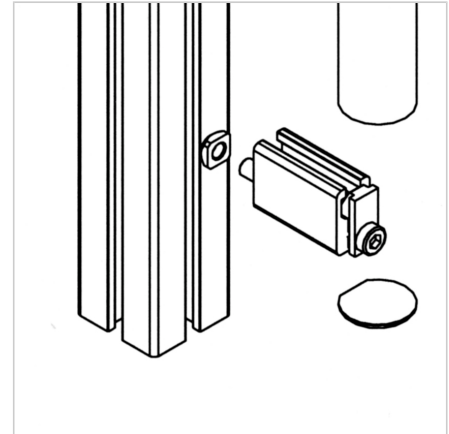
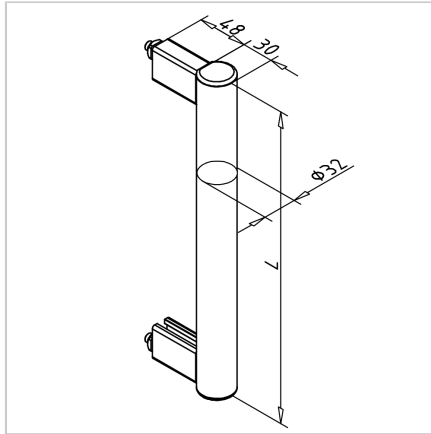
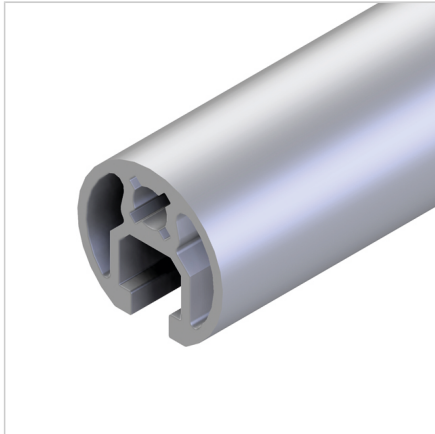


HANDLE BAR 32 L = 300 MM, A = 48 MM

Code: 210962/0

Handle bar for secure and ergonomic operation of safety doors or machine enclosures in industrial applications.

[Link to the product →](#)



Technical data/items supplied

- Aluminium, anodized E6/EV1
- Ready-to-install kit from MiniTec aluminum profiles
- With fastening material steel, zinc plated
- Standard length (L) 300 mm
- **Other lengths on request**
- **Please specify dimension L**
- Weight = 0.500 kg/piece

Applications

- Handle for very large doors, lids, trolleys, removable surface elements

Assembly

- Enter square nut in existing construction
- Pre-install spacers with a long screw and connector profile
- Insert the handle profile and tighten the profile connector to spacers
- Install caps