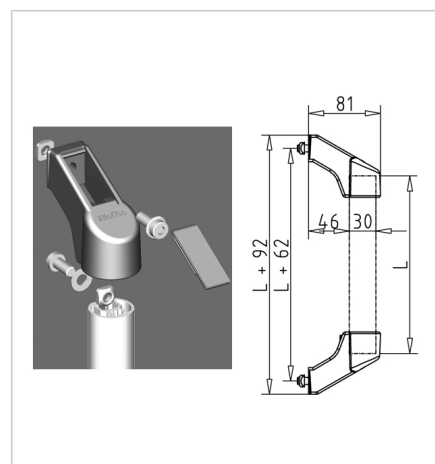
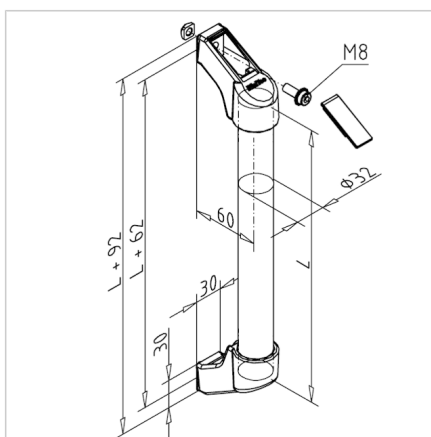


HANDLE GP L = 300 MM

Code: 212317/0

Door handle GP for doors and protective units made from aluminium profiles, providing a reliable grip for safe and easy opening and closing.

[Link to the product →](#)



Technical data/items supplied

- Handle profile aluminium, anodized E6/EV1
- Bracket ABS, grey
- Fastening material steel, galvanized
- Standard length (L) 300 mm
- **In case of divergent length please specify dimension L**
- Construction set without profile **part no. 212317/1**
- Load max. 500 N
- Weight = 0.427 kg/piece

Applications

- Doors and lids
- Carriage
- Railing

Assembly

- Attach bracket to handle profile
- Use the included fastening material to attach the profile to the profile grooves
- Recommended tightening torque: 10 Nm