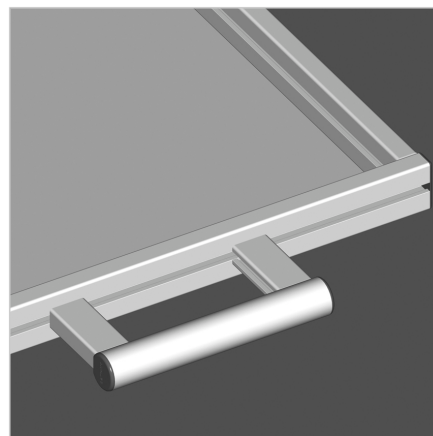
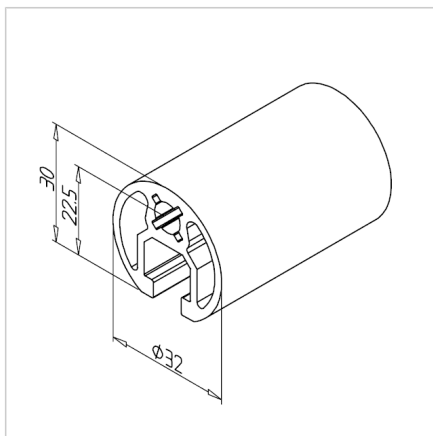


HANDLE PROFILE 32

Code: 201088/0

Alu profile 32 for door handles and industrial use. Build with a modular aluminium profile system for machines and custom structures.

[Link to the product →](#)



Technical data/items supplied

- Aluminium, extruded, anodized E6/EV1
- $I_x = 2.601 \text{ cm}^4$
- $I_y = 2.636 \text{ cm}^4$
- $w_x = 1.682 \text{ cm}^3$
- $w_y = 1.649 \text{ cm}^3$
- $IT = 2.565 \text{ cm}^4$
- Weight = 0.911 kg/m
- Bar length = 6 m
- Packing unit = 84 m

Applications

- Handles of different lengths for doors, drawers, handrails
- Edging of surface elements or posters up to 8 mm
- Profile section for suspending roller tracks or similar

Assembly

- MiniTec power-lock fastener
- Mounting angle 19 GD-Z, **part no.** [212078/0](#)
- Bolt connector
- Screw connection
- Lateral cover with end cap for handle profile 32