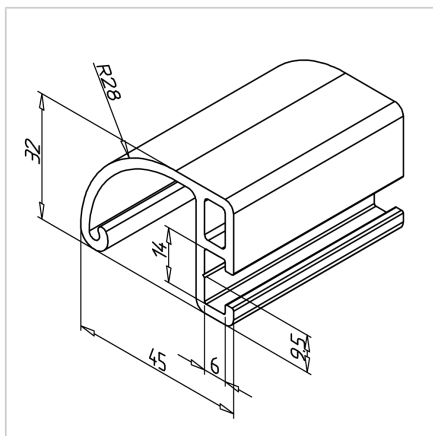


## HANDLE PROFILE AL

Code: 201045/0

Alu profile for door handles and industrial use. Build with a modular aluminium profile system for machines and custom structures.

[Link to the product →](#)



### Technical data/items supplied

- Aluminium, extruded, anodized E6/EV1
- $I_x = 3.531 \text{ cm}^4$
- $I_y = 7.654 \text{ cm}^4$
- $w_x = 1.985 \text{ cm}^3$
- $w_y = 2.856 \text{ cm}^3$
- $IT = 0.429 \text{ cm}^4$
- Weight = 0.890 kg/m
- Bar length = 6 m

### Applications

- Handle of diverse lengths
- Sheet edges
- Work station end points
- Cover ledge for cable, pneumatic conducts

### Assembly

- Screw connection
- Angles
- Lateral cover with end cap left **part no. 221055/0** and right **part no. 221054/0**