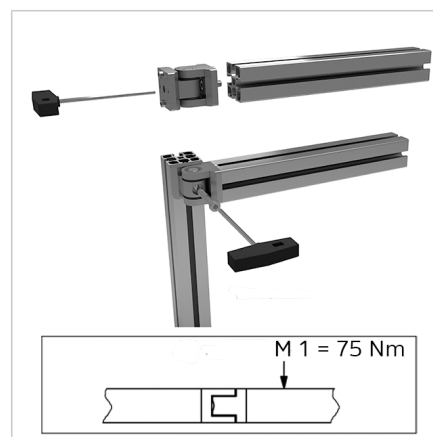
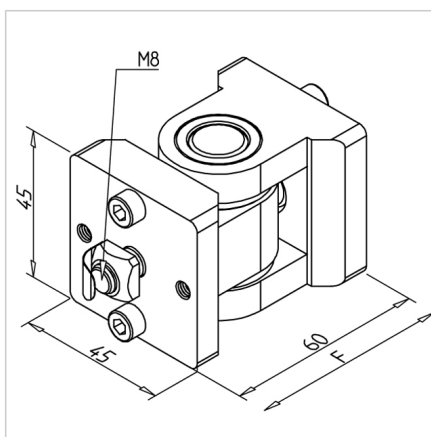
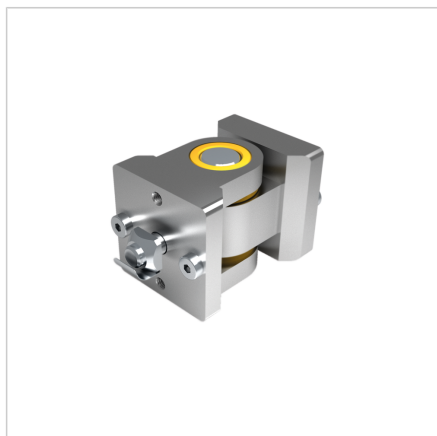


HEAVY DUTY HINGE 45

Code: 212034/0

Heavy duty Swivel Link 45 for heavy swing doors and moving parts storage, non-lockable, designed for heavy load applications.

[Link to the product →](#)



Technical data/items supplied

- Steel, galvanized
- With fastening material steel, zinc plated
- With low-friction sliding bearing
- Locking device against torsion
- Load F_{max} 3500 N
- Load M1 max 75 Nm
- Weight = 0.680 kg/piece

Applications

- Heavy duty swing doors, storage of moving parts
- Not lockable
- For heavy loads use multiple hinges

Assembly

- Attach the first joint half to the profile strut on the face side
- Fasten the second joint half to the supporting frame