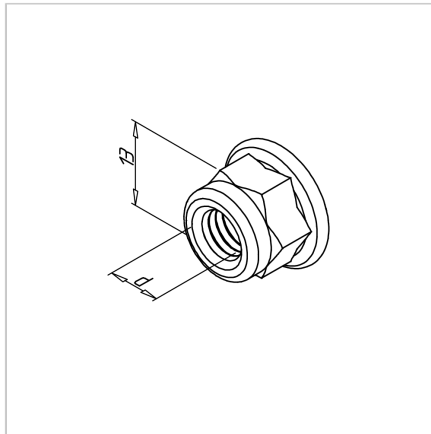


HEXAGON NUT M08 WITH FLANGE SELF-LOCKING

Code: 211334/0

Hexagon self-locking nut M8 with flange for secure and reliable fastening. Suitable for aluminium profile assemblies and structural joints.

[Link to the product →](#)



Technical data/items supplied

- Steel, galvanized
- Thread (d) : M 8
- Weight = 0.009 kg/piece