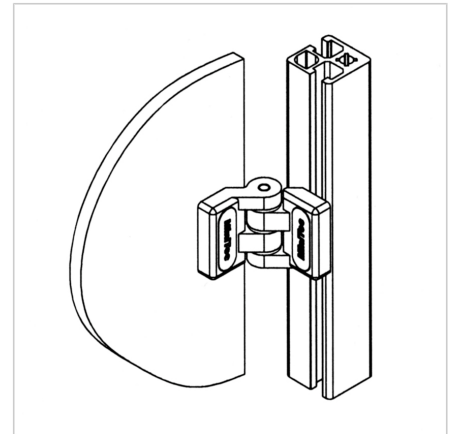
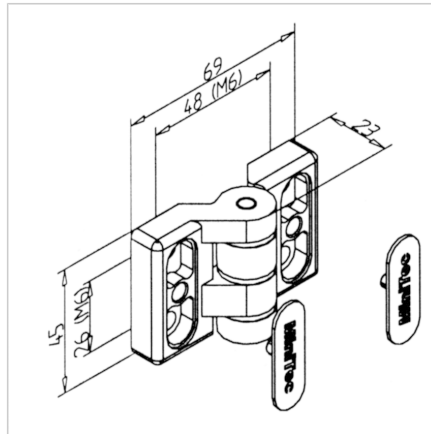
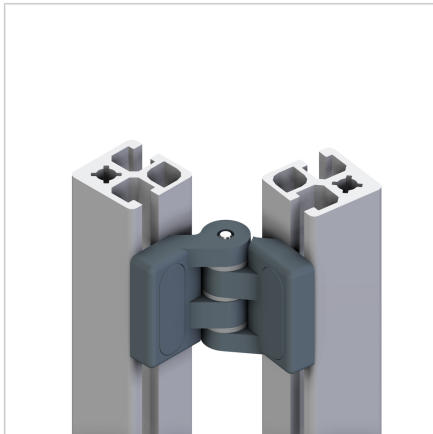


HINGE 19 S

Code: 211044/0

Hinge 19 S for aluminium profiles enables reliable opening of doors and covers in safety units and industrial constructions.

[Link to the product →](#)



Technical data/items supplied

- Aluminium, Pressure die-casting, powder-coated, grey
- Hinge pin, steel, galvanised
- End caps
- Without fastening kit
- Load capacity up to 600 N, static
- Weight = 0.100 kg/piece

Applications

- Suitable for larger doors and hatches of profiles 19 or 32
- Guard units
- Connection of profiles 19 and 32 at any angle

Assembly

- Fasten hinge halves each with 2 screws M6 x 18 and 2 square nut on profile, or fasten directly with screws on to surface elements according to material strength
- For heavy-duty applications use multiple hinges
- Swivel range up to 270°