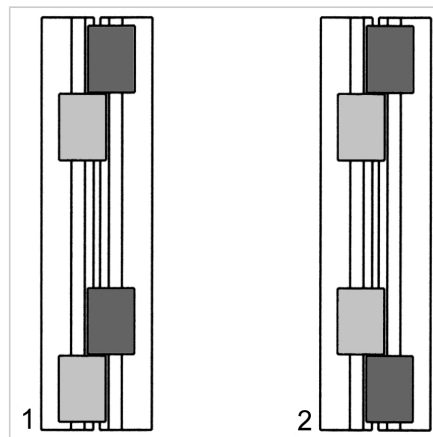
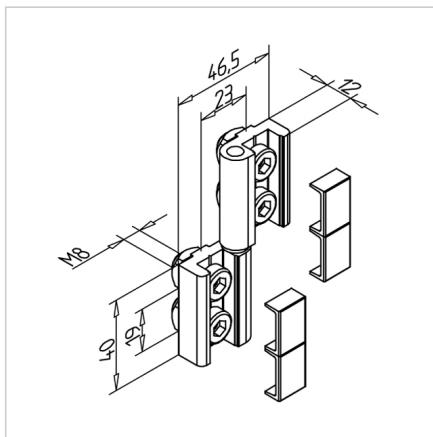
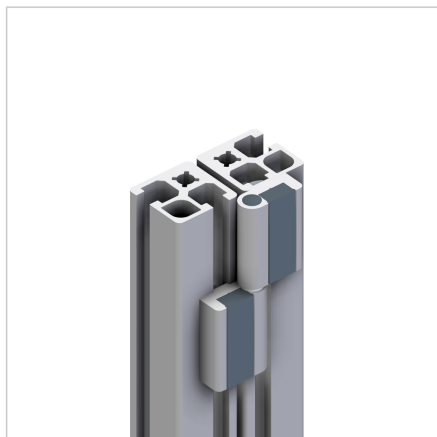


HINGE 19 WITH OUT FIXING ELEMENT

Code: 211100/2

Hinge for profile 19 without rear bar enables flexible connection of aluminium components at various angles.

[Link to the product →](#)



Technical data/items supplied

- Aluminium, anodized E6/EV1
- With stainless steel shaft
- With fastening material steel, zinc plated
- End caps
- Load capacity up to 400 N
- Weight = 0.109 kg/piece

Applications

- Detachable doors, hatches, surface elements in a vertical arrangement
- If the hinges are arranged in the opposite direction, non-detachable and horizontally mounted structures can also be produced
- Connection of profiles 19 at various angles

Assembly

- Fasten to profile groove with supplied hardware
- For fixing directly on surface elements or on profile surfaces we deliver hinge 19 without fixing element **part no. 211100/2**
- 1: Lift removable
- 2: Arrangement is not detachable