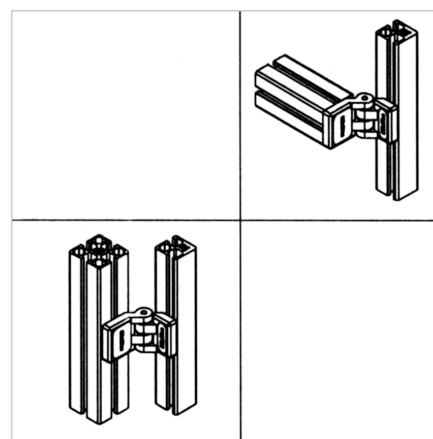
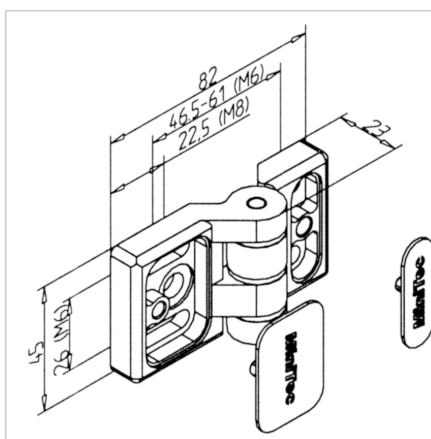
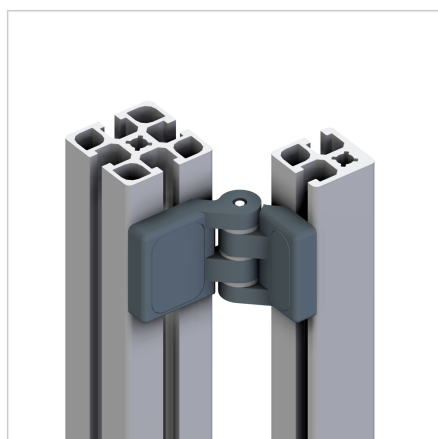


HINGE 32 S

Code: 211055/0

Hinge 32 S for aluminium profiles enables reliable opening of doors and covers in safety units and industrial constructions.

[Link to the product →](#)



Technical data/items supplied

- Aluminium, Pressure die-casting, powder-coated, grey
- Hinge pin, steel, galvanised
- End caps
- Without fastening kit
- Load capacity up to 600 N, static
- Weight = 0.102 kg/piece

Applications

- Suitable for large doors and lids
- Guard units
- Connecting profiles 19, 32 and 45 at any angle

Assembly

- Fix short half of hinge on profile groove using 2 M6 x 18 bolts and 2 square nuts or use screws corresponding to the material thickness to fix directly on the surface elements
- Fasten other hinge half onto profile 45 x 45 with screw M8 x 30 or 2 screws M6 x 18
- For heavy-duty applications use multiple hinges
- Swivel range up to 270°