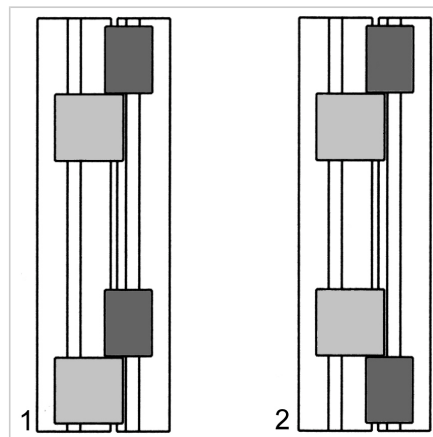
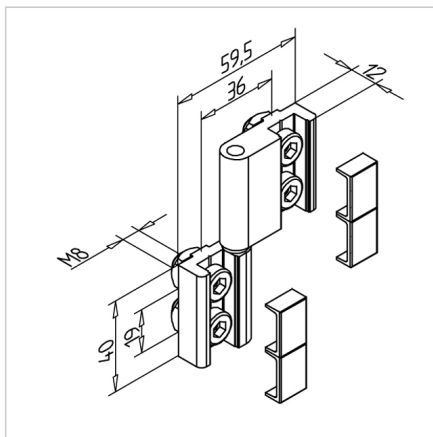
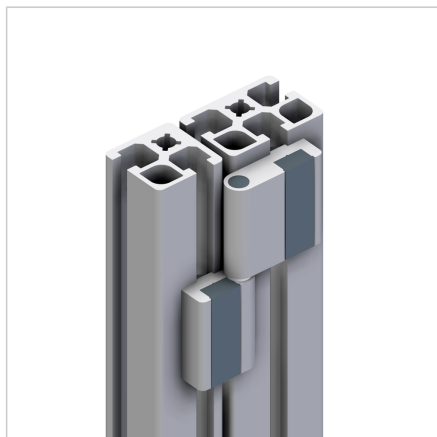


HINGE 32

Code: 211095/0

Hinge 32 for aluminium profiles enables reliable opening of doors and covers in safety units and industrial constructions.

[Link to the product →](#)



Technical data/items supplied

- Aluminium, anodized E6/EV1
- With stainless steel shaft
- With fastening material steel, zinc plated
- End caps
- **Order with position fixing nuts, part no. 211095/7**
- Load capacity up to 400 N
- Weight = 0.134 kg/piece

Applications

- Detachable doors, hatches, moving parts on profiles 32
- If the hinges are arranged in the opposite direction, non-detachable and horizontally mounted structures can also be produced
- Connecting profiles 19, 32 and 45 at any angle

Assembly

- Fasten to profile groove with supplied hardware
- For fixing directly on surface elements or on profile surfaces we deliver hinge 32 without fixing element **part no. 211095/2**
- 1: Lift removable
- 2: Arrangement is not detachable